

## IONOSPHERE™ IX

**A Spacious one person  
lightweight compact  
modular shelter / tent**

The Ionosphere™ IX can be used without the fly as a stand alone mosquito shelter / barrier for those nights when you may want to sleep under the stars or just need protection from the pests and not the elements.

### WARNING:

KEEP ALL FLAME AND HEAT SOURCES AWAY FROM THIS TENT FABRIC. THIS TENT MEETS THE FLAMMABILITY REQUIREMENTS OF CPAI-84. THE FABRIC MAY BURN IF LEFT IN CONTINUOUS CONTACT WITH ANY FLAME SOURCE. THE APPLICATION OF ANY FOREIGN SUBSTANCE TO THE TENT FABRIC MAY RENDER THE FLAME-RESISTANT PROPERTIES INEFFECTIVE.



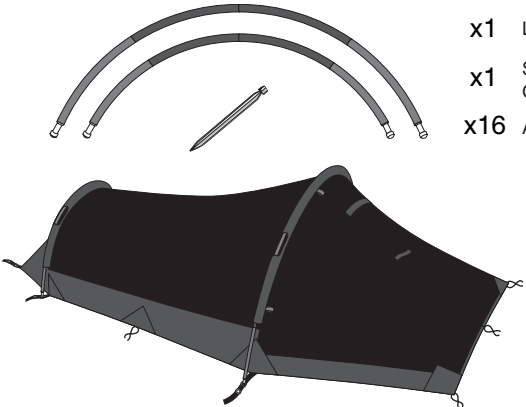
### WARNING: KEEP ALL FLAME AND HEAT SOURCES AWAY FROM THIS TENT.

This tent is not fireproof. The fabric will burn if left in continuous contact with a flame source.

### MISE EN GARDE: TENIR CETTE TENTE LOIN DE TOUTE FLAMME ET DE TOUTE SOURCE DE CHALEUR.


Cette tente n'est pas ininflammable. Le tissu brûlera s'il est laissé en contact continu avec une source de flamme.

# Assembly Instructions for the IONOSPHERE™ IX



- x1 Large Curved Pole
- x1 Small Curved Pole Grey Tipped
- x16 Alloy Stakes

Additional Ultralight Alloy Original Stakes can be purchased separately. Aftermarket stakes can also be used with this tent whether it be with the loop webbing or through the secondary grommet available.

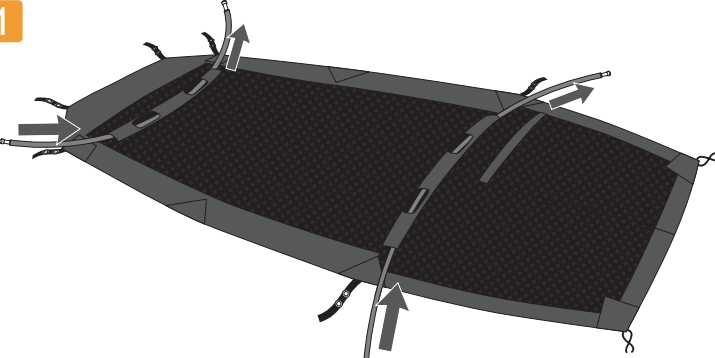


- 2

- a. Insert the tent pole ends into the grommets in the corresponding webbing straps.
- b. Once all the pole ends are inserted into the grommets then take the Ultralight Alloy Stakes that came with the Ionosphere™ IX and stake down the corners and the webbing straps with grommets. Add additional stakes to other stake points as needed. *(Note: there is a secondary grommet on webbing strap for different style stake if needed)*
- c. At this stage the Ionosphere™ IX can be used as a stand alone insect shelter, if so desired.


### ANCHOR HOLE INSTRUCTIONS

Our tents are designed for use in many different regions and seasons, from Summer in hot countries to Winter in extreme climates, and the temperatures and humidity can vary dramatically. Whilst not visibly noticeable, this will cause the poles and the fabric to expand or contract slightly.




- 1

- a. Take out the main body (Inner Tent / Mosquito Netting) and unfold and spread it out.
- b. Assemble Pole Sections - Carefully unfold the pole sections and allow them to slide together by inserting within one another.
- c. Insert the poles into the pole sleeve channels *(we recommend to always push poles through, do not pull through sleeve channels).*



- 3

- a. Take out the Fly (Outer Tent) and unfold and spread it out. Then drape the Fly over the main body matching up the door area and foot area and then connect the two.
- b. To connect the Fly to the main body simply use the Velcro attachment points to connect it to the Poles where accessible through the Pole Sleeve Channel. There are two attachment points to attach the fly on both Pole Sleeve Channels.
- c. To gain access now simply unzip the fly access zipper and also the inner tent access zippers.



The anchor holes include two holes to allow for small changes in size. It should always be possible to get the poles into at least one of the holes. There is no correct hole (and it does not need to be the same hole on either side.)