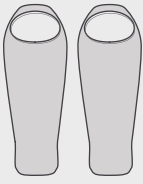


SCORPION 2™

A FLY-FIRST PITCH TYPE DESIGN TENT



2 PERSON



WEIGHT

Trail Weight - 2.24kg/4.94lbs (Fly, Poles & Inner Tent)

Pack Weight - 2.65kg/5.84lbs (Fly, Poles, Inner Tent, Stakes, Guy Ropes & Compression Storage Bag)



MESH DOOR



INNER TENT



OUTER VENTS

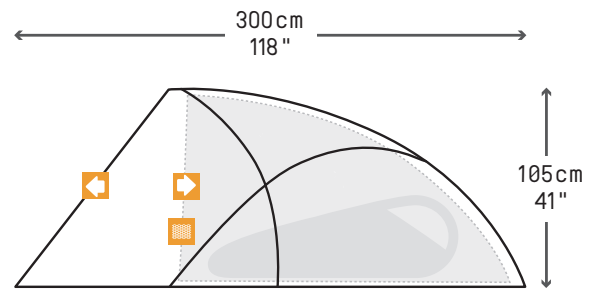


OUTER DOOR

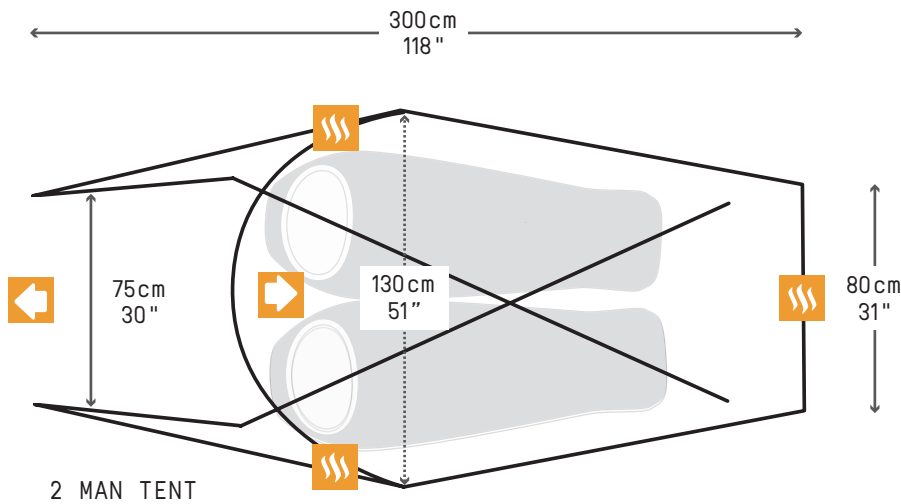


INTERNAL DOOR

FLYSHEET SIDE VIEW



FLYSHEET TOP VIEW



COMPRESSION STORAGE BAG



MESH INNER TOP VIEW & SIDE VIEW

